



输出功率: 约5~80W
蜗轮蜗杆减速电机

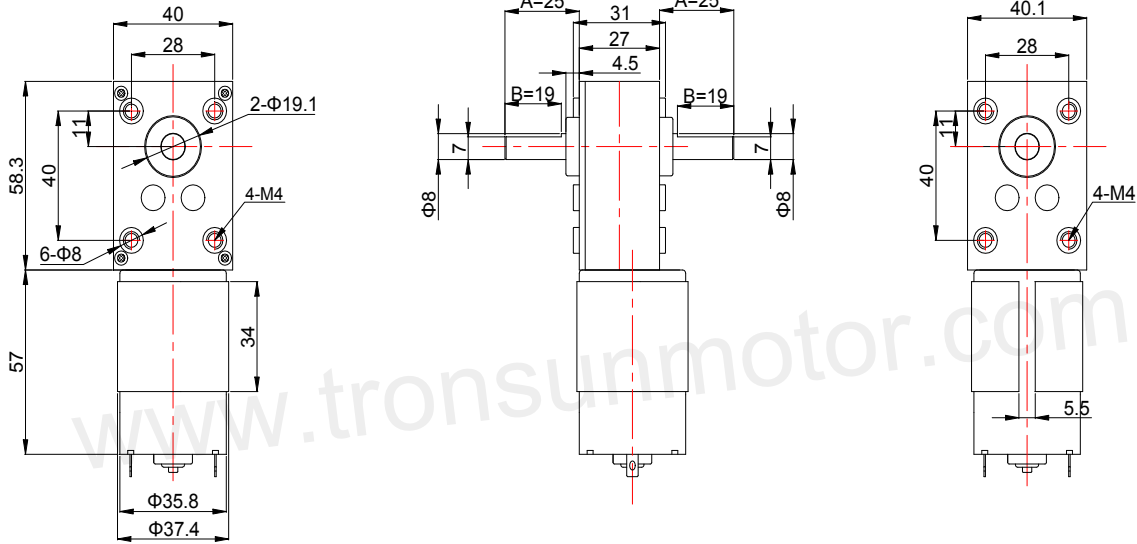
OUTPUT:APPROX 5~80W
Worm Gear Motor

典型应用: 智能家居
智能机器人
自动售货机
阀门

Typical Applications: Smart Home Appliance
Smart Robot
Vending Machine
Valve

1.OUTLINE DRAWING:

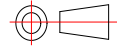
UNIT:MM



Customizable Parameters:

1. Length A and B
2. Electric Performance
3. Output shaft specifications
4. Reduction Ratio

View:



WEIGHT: 430g(Approx)

2.GEARBOX REDUCTION RATIO:

Gearbox Length (mm)	Stage Number	Reduction Ratio					Rated Torque	Bearable Maximum Instant Torque
		kg.cm						
46 x 32 x 21.5	3	52/1	105/1	202/1			30.0	60.0
	4	350/1	700/1				50.0	100.0

3.MOTOR PERFORMANCE :

1N.m≈10.2kg.cm≈14.2oz.in

MODEL	REDUCTION RATIO	VOLTAGE		NO LOAD			AT MAXIMUM EFFICIENCY				STALL	
		OPERATING RANGE	NOMINAL	SPEED	CURRENT	SPEED	CURRENT	TORQUE	OUTPUT	TORQUE	CURRENT	
			V	rpm	A	rpm	A	kg.cm	W	kg.cm	A	
58GF550-52-12240	52/1	5.0~13.0	12.0	240	0.6	212	5.5	10.0	21.74	89.0	41.5	
58GF550-104-12120	104/1	5.0~13.0	12.0	120	0.6	104	6.0	25.0	26.67	189.0	41.5	
58GF555-202-2432	202/1	5.0~25.0	24.0	32	0.17	28	1.1	28.0	8.04	213.0	7.2	
58GF555-350-2418	350/1	5.0~25.0	24.0	18	0.17	15.8	1.1	40.0	6.48	331.1	7.2	
58GF555-700-2409	700/1	5.0~25.0	24.0	9	0.17	8.1	0.9	65.0	5.40	652.0	7.2	