



输出功率: 约0.1~1.6W
贵金属电刷马达/碳刷马达

典型应用: 电子门锁
智能家居
精密仪器
减速箱

OUTPUT: APPROX 0.1~1.6W

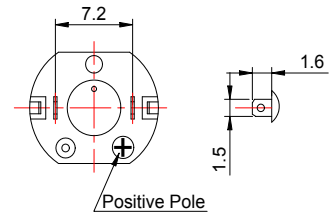
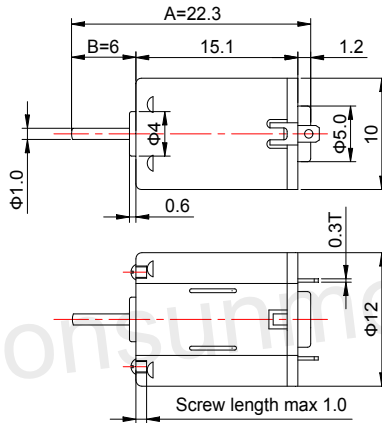
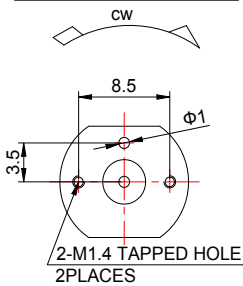
Precious Metal-brush Motors/Carbon-brush Motors

Typical Applications: Electronic Door Lock
Smart Home Appliance
Precision Instruments
Gear Box

1. OUTLINE DRAWING:

UNIT:MM

DIRECTION OF ROTATION

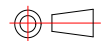


Customizable Parameters:

1. Length A and B
2. Electric Performance
3. Direction of Rotation
4. Eccentric Wheel is available

WEIGHT: 5.6g (APPROX)

View:



2. MOTOR PERFORMANCE :

MODEL	VOLTAGE		NO LOAD			AT MAXIMUM EFFICIENCY				STALL		
	OPERATING RANGE	NOMINAL V	SPEED rpm	CURRENT A	SPEED rpm	CURRENT A	TORQUE g.cm	TORQUE mN.m	OUTPUT W	TORQUE g.cm	TORQUE mN.m	CURRENT A
FF-N20TA-06360	3.0~7.0	6.0	9500	0.013	7800	0.05	2	0.20	0.16	9.6	0.94	0.185
FF-N20TA-07280	3.0~12.0	12.0	26000	0.02	22000	0.11	3	0.29	0.68	21	2.06	0.625
FF-N20TA-08225	3.0~7.0	6.0	16000	0.025	12960	0.11	3	0.29	0.40	15.8	1.55	0.475
FF-N20TA-09180	3.0~7.0	6.0	20500	0.034	16950	0.16	3.1	0.30	0.54	17.8	1.75	0.77
FF-N20TA-09168	3.0~7.0	3.0	10800	0.026	8400	0.104	2.1	0.21	0.18	10.5	1.03	0.418
FF-N20TA-10165	3.0~7.0	5.0	18500	0.034	15400	0.16	2.9	0.28	0.46	17.2	1.69	0.792
FF-N20TA-11125	3.0~7.0	6.0	20500	0.065	23700	0.33	4.5	0.44	1.09	27	2.65	1.66
FK-N20TA-12115	3.0~7.0	6.0	31000	0.135	24500	0.51	6.3	0.62	1.58	31	3.04	1.92

