

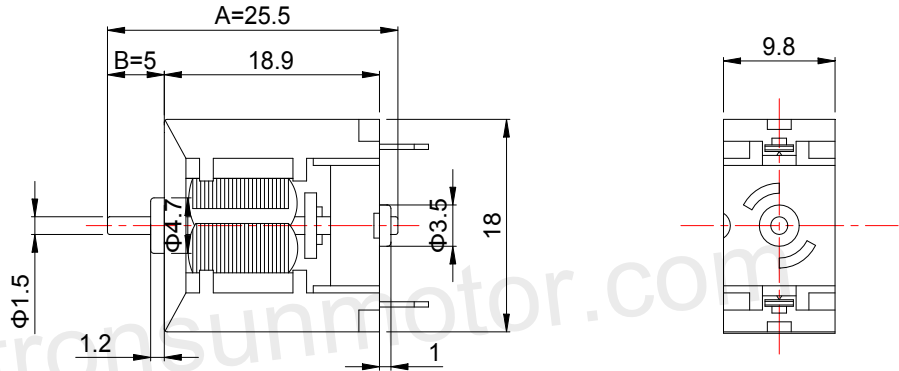
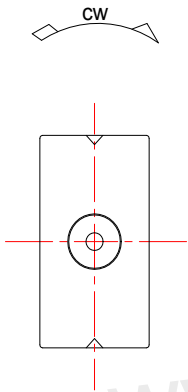
输出功率: 约0.2~1.0W
贵金属电刷马达/碳刷马达
典型应用: 电动玩具
无线控制模型

OUTPUT: APPROX 0.2~1.0W
Precious Metal-brush Motors/Carbon-brush Motors
Typical Applications: Electric Toys
Wireless Control Model

1. OUTLINE DRAWING:

UNIT:MM

DIRECTION OF ROTATION

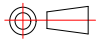


Customizable Parameters:

1. Length A and B
2. Electric Performance
3. Direction of Rotation
4. Eccentric Wheel is available

WEIGHT: 10g(Approx)

View:



2. MOTOR PERFORMANCE :

MODEL	VOLTAGE		NO LOAD		AT MAXIMUM EFFICIENCY				STALL			
	OPERATING RANGE	NOMINAL	SPEED	CURRENT	SPEED	CURRENT	TORQUE	OUTPUT	TORQUE	CURRENT		
		V	rpm	A	rpm	A	g.cm	mN.m	W	g.cm	mN.m	A
SE-020SA-10210	2.0~5.0	4.5	12600	0.058	9592	0.19	3.8	0.37	0.37	16	1.57	0.59
SE-020SA-09170	2.0~4.0	3.0	9000	0.05	6604	0.14	2.6	0.26	0.18	9.6	12.00	0.38

